



Manufactured by:
Backyard Discovery
3305 Airport Drive, Pittsburg, KS 66762
800-856-4445

Basepoint Business Centre: Rivermead Drive, Westlea, Swindon SN5 7EX Phone: 0800-118-2476 J.P. Coenstraat 7, The Hague, The Hague, 2595 WP, Netherlands Phone: 08005678990

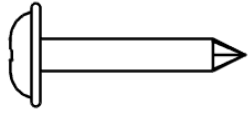
20x12 BARRINGTON MOSQUITO MESH KIT MODEL # : 9230156



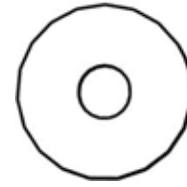
Please visit www.backyarddiscovery.com
For the most up to date assembly manual, to register your product, or to order
replacement parts *Para obtener instrucciones en español, visite*
www.backyarddiscovery.com

OWNER'S MANUAL - PARTS IDENTIFICATION

HARDWARE COMPONENTS (NOT TO SCALE)

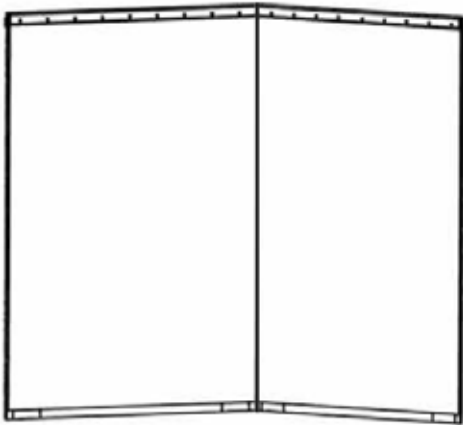


H100392 SCREW PWH BLK
(x152) #8x3/4

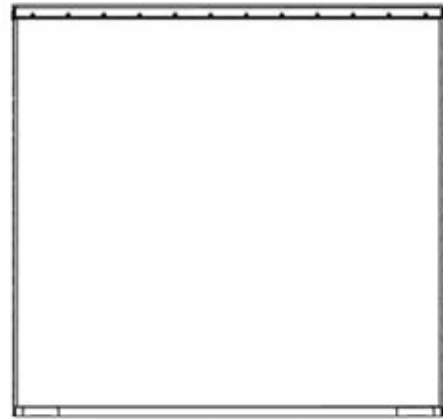


H100478 WASHER BLK
(x12) 8x27

ACCESSORY COMPONENTS (NOT TO SIZE)



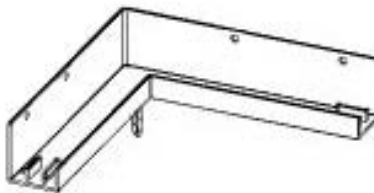
A6P00724 MESH PANEL CURTAIN
(x4)



A6P00806 MESH PANEL
(x2)



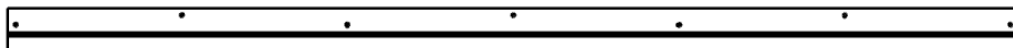
A6P00752 MESH PANEL TIE
(x6)



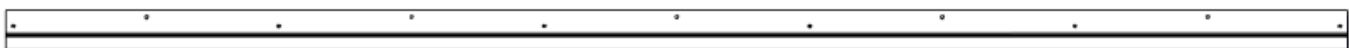
A6P00720 CORNER CAP
(x4)



A6P00535 MESH PANEL HOOK
(x96)



A6P00797 MESH PANEL TRACK
(x8)



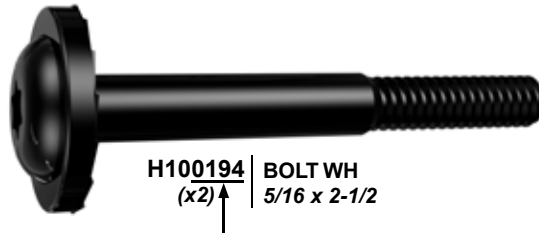
A6P00721 MESH PANEL TRACK
(x4)

PRE-ASSEMBLY STEP 1 - SORTING PARTS

It is critical for ease of assembly that you take the time to sort and organize the parts and hardware.

HARDWARE PARTS:

- We recommend that you have a separate table to organize the hardware.
- Hardware bags are printed with a seven-digit, alpha-numeric part number.
- You can organize your hardware by part number or group by hardware type (i.e. bolts, nuts, etc.).
- During assembly you only need to reference the last four digits of the number.



TOOLS REQUIRED:



Cordless Drill or
Electric Drill



Drill Attachments:
Phillips Head



1/8" & 3/8" Drill
Bits



Phillips Screw Driver



Tape Measure

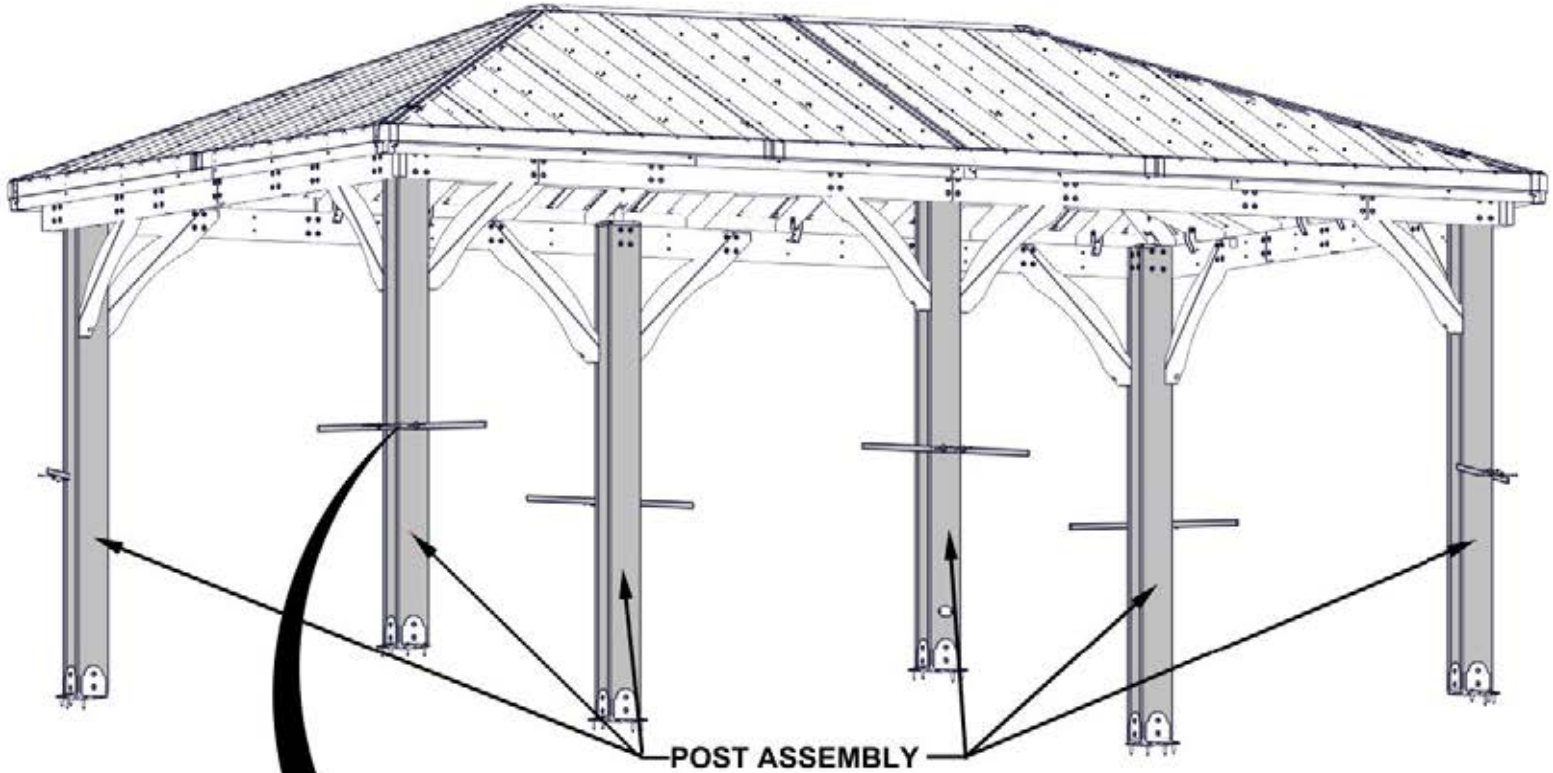
STEP 1 - TIES

Qty	PART NUMBER	DESCRIPTION
12	H100478	WASHER FLAT 8x27 BLK
12	H100392	SCREW PWH 8x3/4 BLK

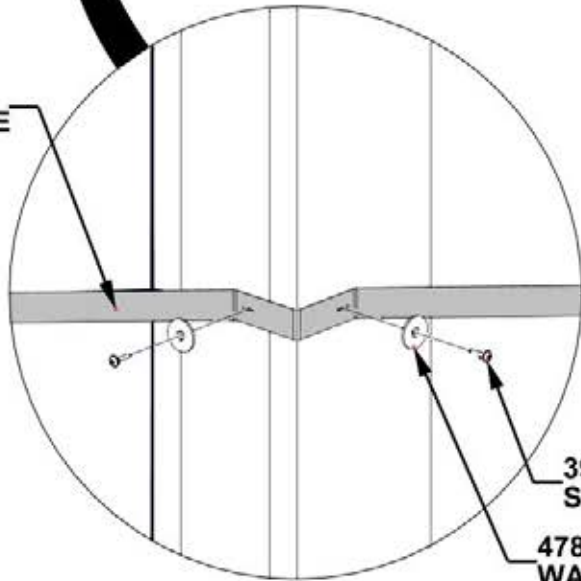


A6P00752 MESH PANEL TIE
(x6)

- NOTES:**
- ATTACH EACH MESH PANEL TIE TO THE POST ASSEMBLY AS SHOWN BELOW.



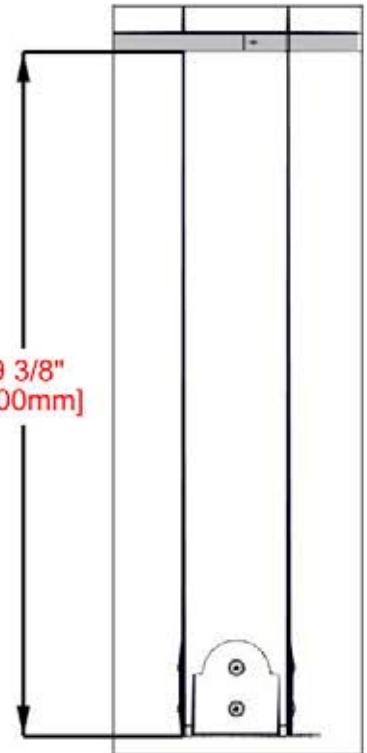
0752 (x6)
MESH PANEL TIE



392 (x12)
SCREW - 3/4"

478 (x12)
WASHER - 8x27

39 3/8"
[1000mm]

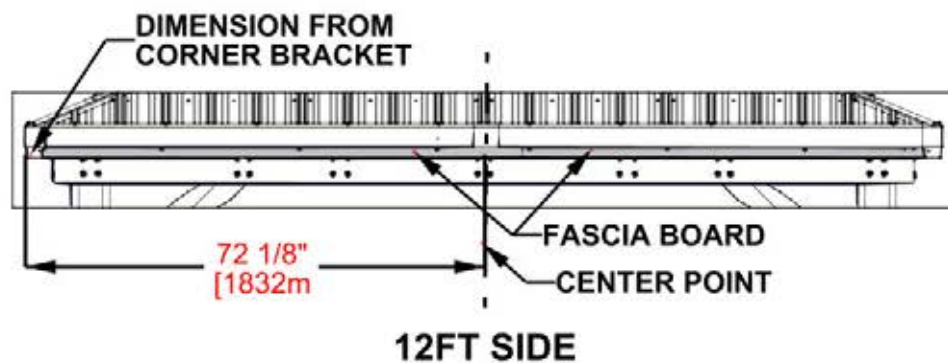
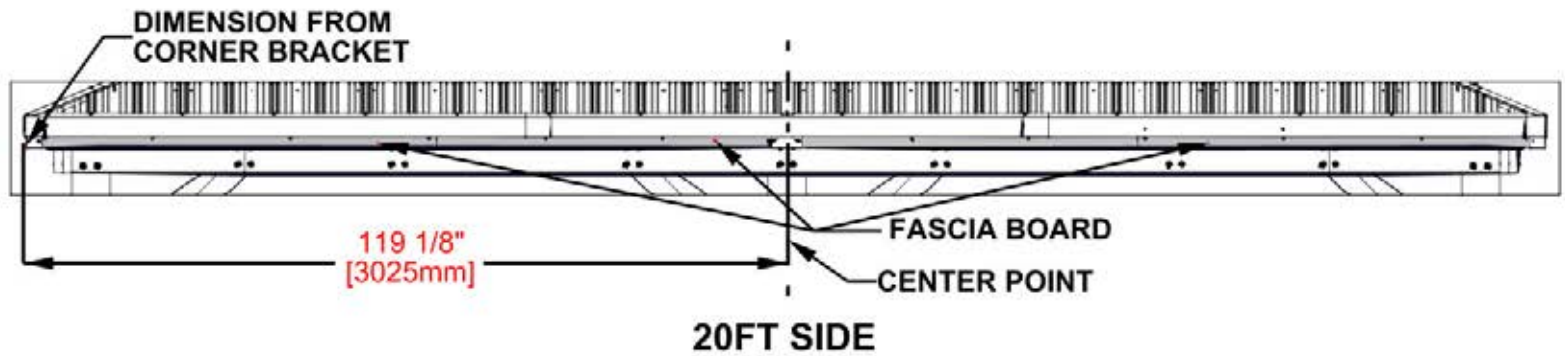
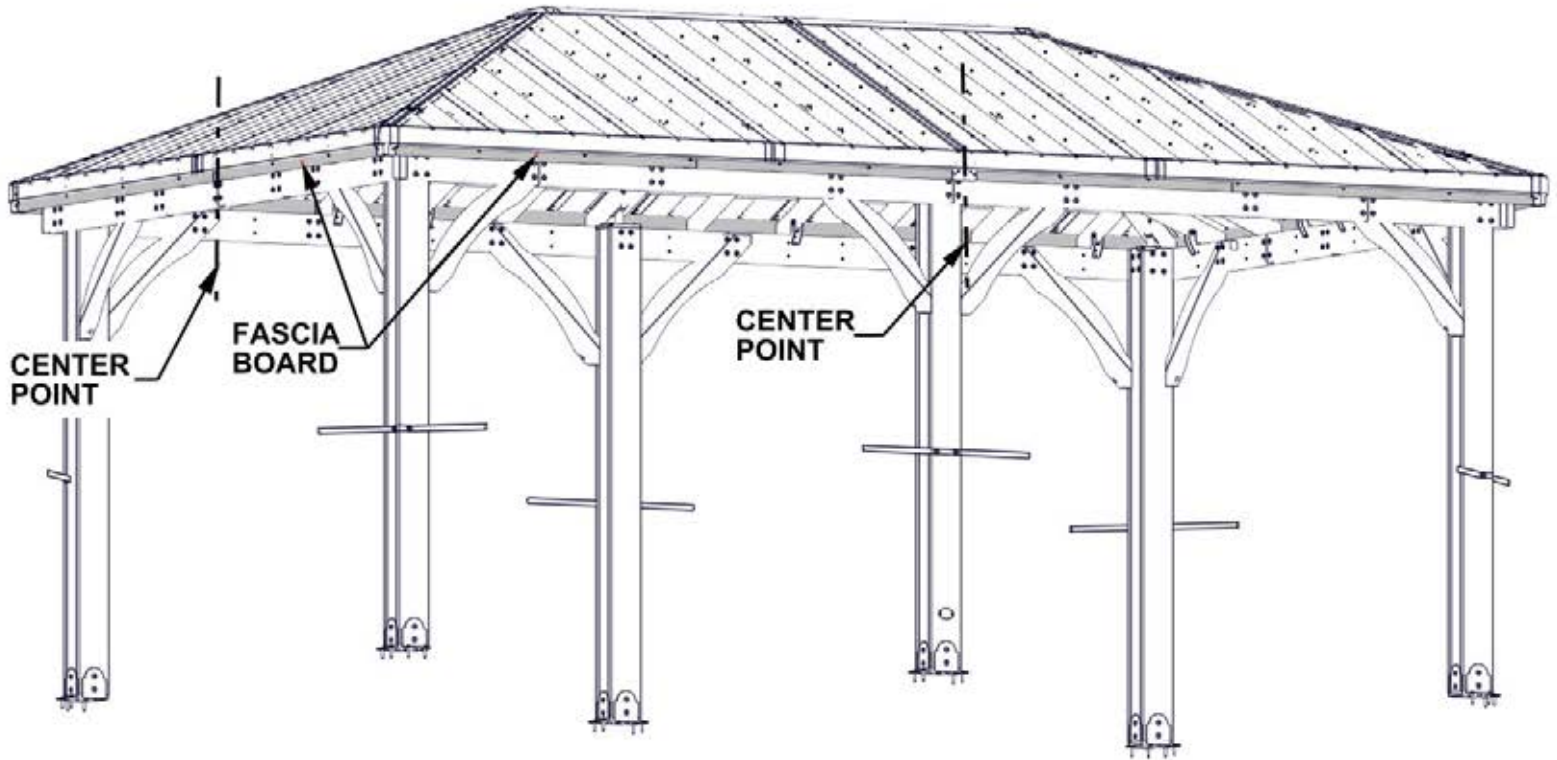


STEP 2 - MEASURE

NOTES:

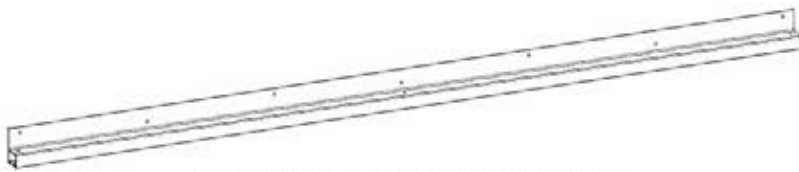
EXTRA PEOPLE ARE HELPFUL FOR THIS STEP.

- MEASURE & MARK CENTER ON ALL FOUR SIDES OF FASCIA BOARD.

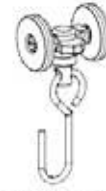


STEP 3 - TRACKS 20FT SIDE

Qty	PART NUMBER	DESCRIPTION
80	H100392	SCREW PWH 8x3/4 BLK



A6P00797 MESH PANEL TRACK
(x8)



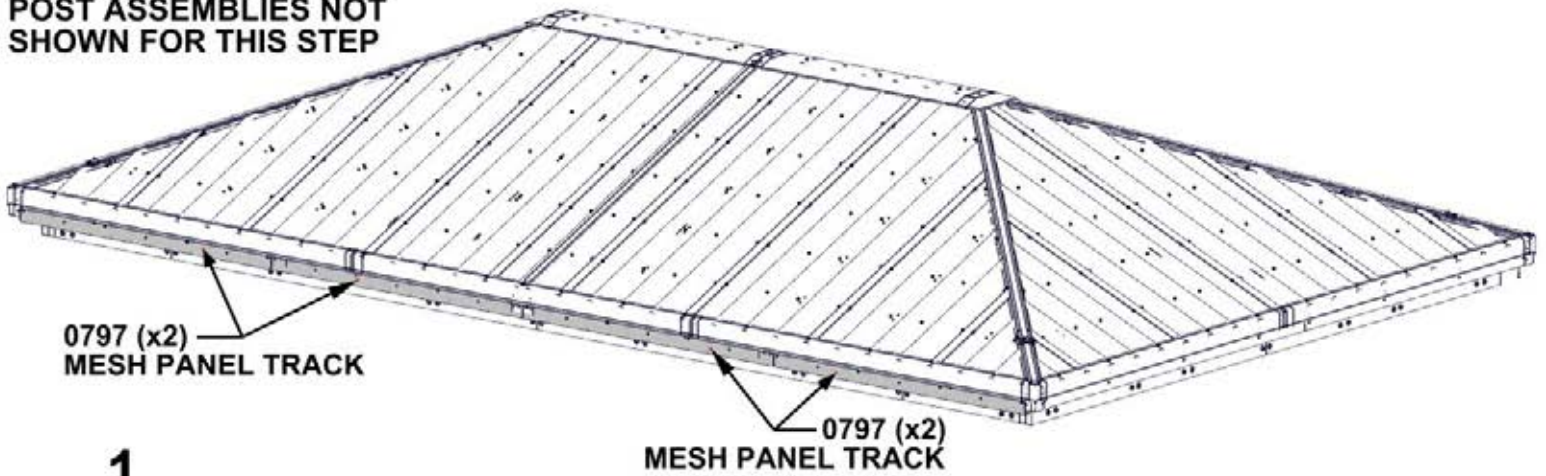
A6P00535 MESH PANEL HOOK
(x60)

NOTES:

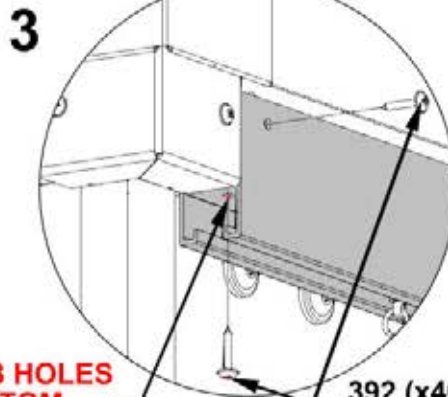
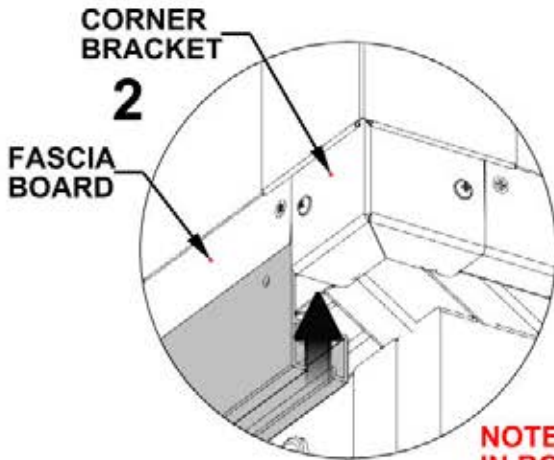
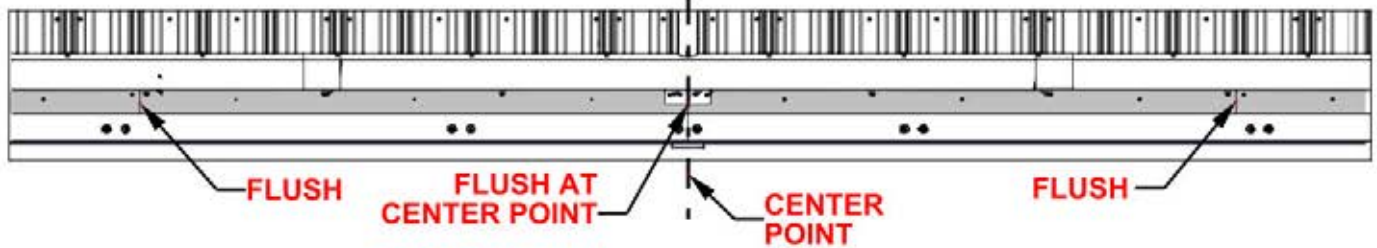
EXTRA PEOPLE ARE HELPFUL FOR THIS STEP.

1. BEGINNING AT THE CENTER POINT, MOUNT ONE (0797) TRACK SO IT IS FULLY SEATED AGAINST THE BOTTOM OF THE FASCIA BOARD (IMAGE 2).
2. ATTACH AS SHOWN (IMAGE 3).
3. ON THE OPPOSITE SIDE OF THE CENTER POINT (IMAGE 1), REPEAT STEPS 1-2 FOR THE SECOND TRACK.
4. ALIGN THIRD TRACK END FLUSH WITH EXISTING TRACK 0797 END (IMAGE 1), THEN MOUNT THIRD TRACK SO IT IS FULLY SEATED AGAINST THE BOTTOM OF THE FASCIA BOARD (IMAGE 2).
5. ATTACH AS SHOWN (IMAGE 3).
6. REPEAT STEPS 4-5 FOR FOURTH TRACK ON OPPOSITE END.
7. INSERT 30 HOOKS AS SHOWN (IMAGE 4) AND SPACE EVENLY.
8. REPEAT ALL STEPS FOR THE OPPOSITE 20FT SIDE.

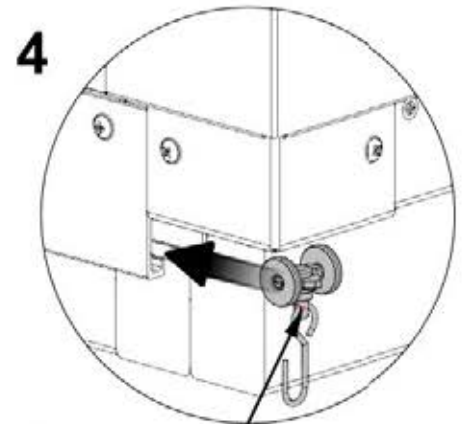
POST ASSEMBLIES NOT SHOWN FOR THIS STEP



1



NOTE 3 HOLES IN BOTTOM OF TRACKS



392 (x40) SCREW - 3/4"
0535 (x30) MESH PANEL HOOK

STEP 4A - TRACKS 20FT SIDE

Qty	PART NUMBER	DESCRIPTION
15	H100392	SCREW PWH 8x3/4 BLK



A6P00720 CORNER CAP
(x1)



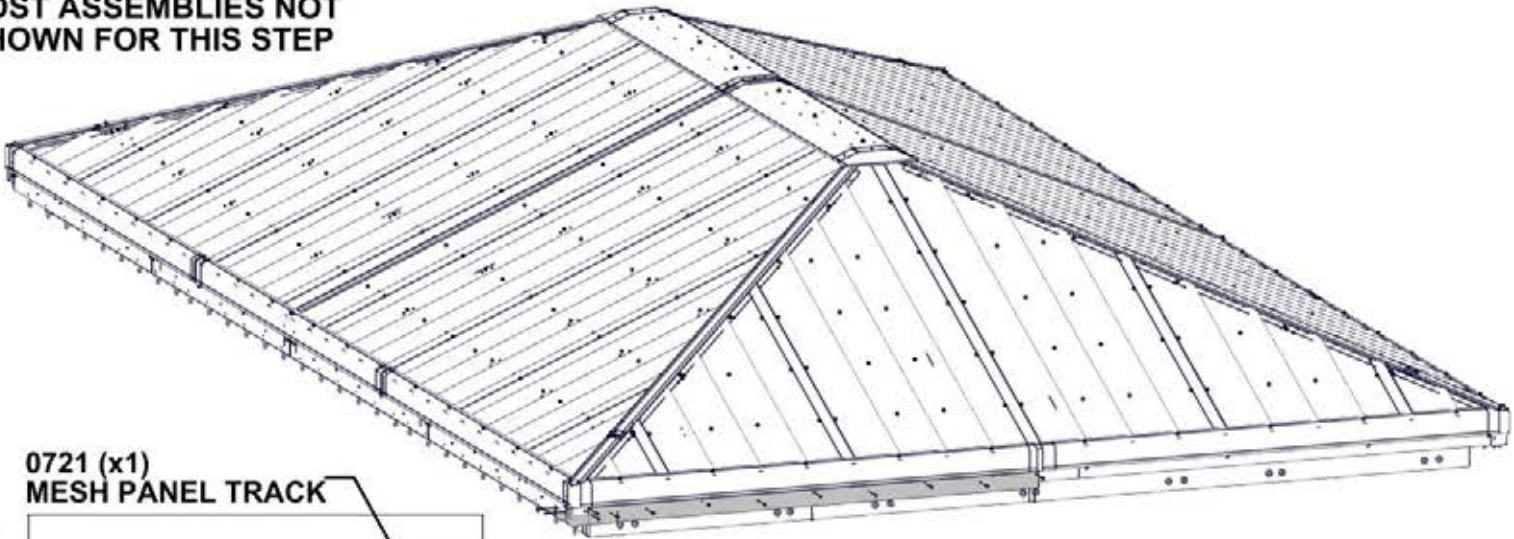
A6P00721 MESH PANEL TRACK
(x1)

NOTES:

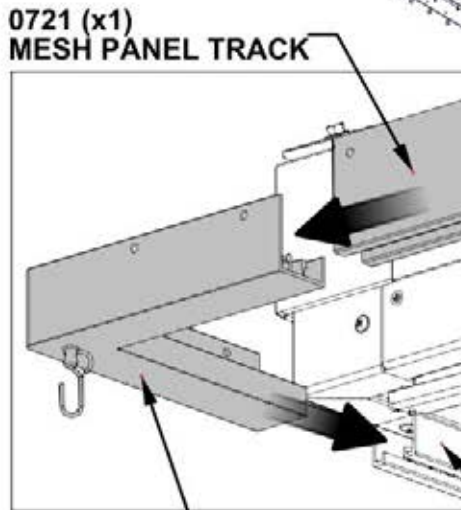
EXTRA PEOPLE ARE HELPFUL FOR THIS STEP.

1. BEFORE PLACING THE TRACK, SLIDE ONE 0721 TRACK INTO THE 0720 CORNER CAP TO CREATE ONE PIECE (IMAGE 1).
2. MOUNT CORNER CAP & TRACK COMBINATION SO IT IS FULLY SEATED AGAINST THE BOTTOM OF THE FASCIA BOARD.
3. SLIDE THE OTHER SIDE OF THE CORNER CAP ONTO THE 14FT TRACK (0717) (IMAGE 1).
4. ADJUST CORNER CAP AS NEEDED TO ENSURE THE OTHER END OF THE TRACK IS AT THE CENTER POINT. SECURE TRACK AS SHOWN (IMAGE 2). INSERT CORNER CAP SCREWS LAST (IMAGE 3).

POST ASSEMBLIES NOT SHOWN FOR THIS STEP



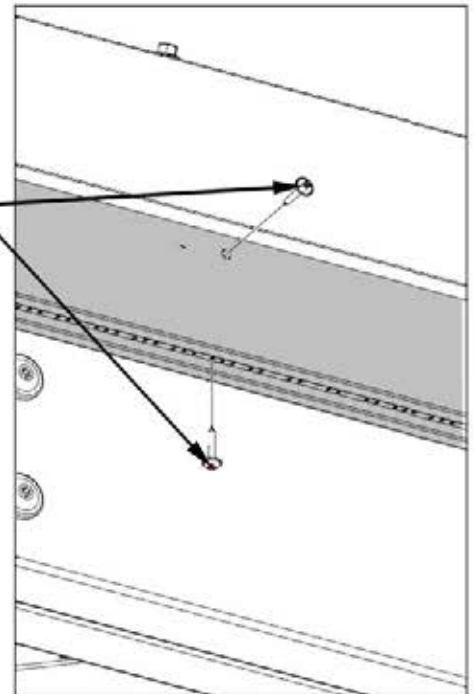
1



0721 (x1)
MESH PANEL TRACK

0720 (x1)
CORNER CAP

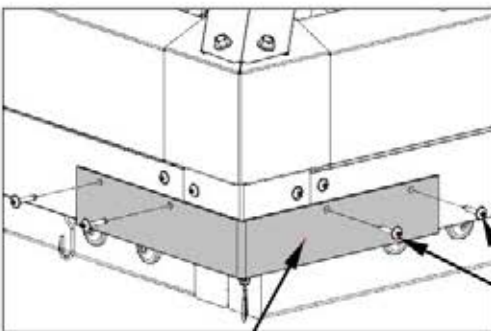
2



392 (x11)
SCREW - 3/4"

0797
MESH PANEL TRACK

3



392 (x4)
SCREW - 3/4"

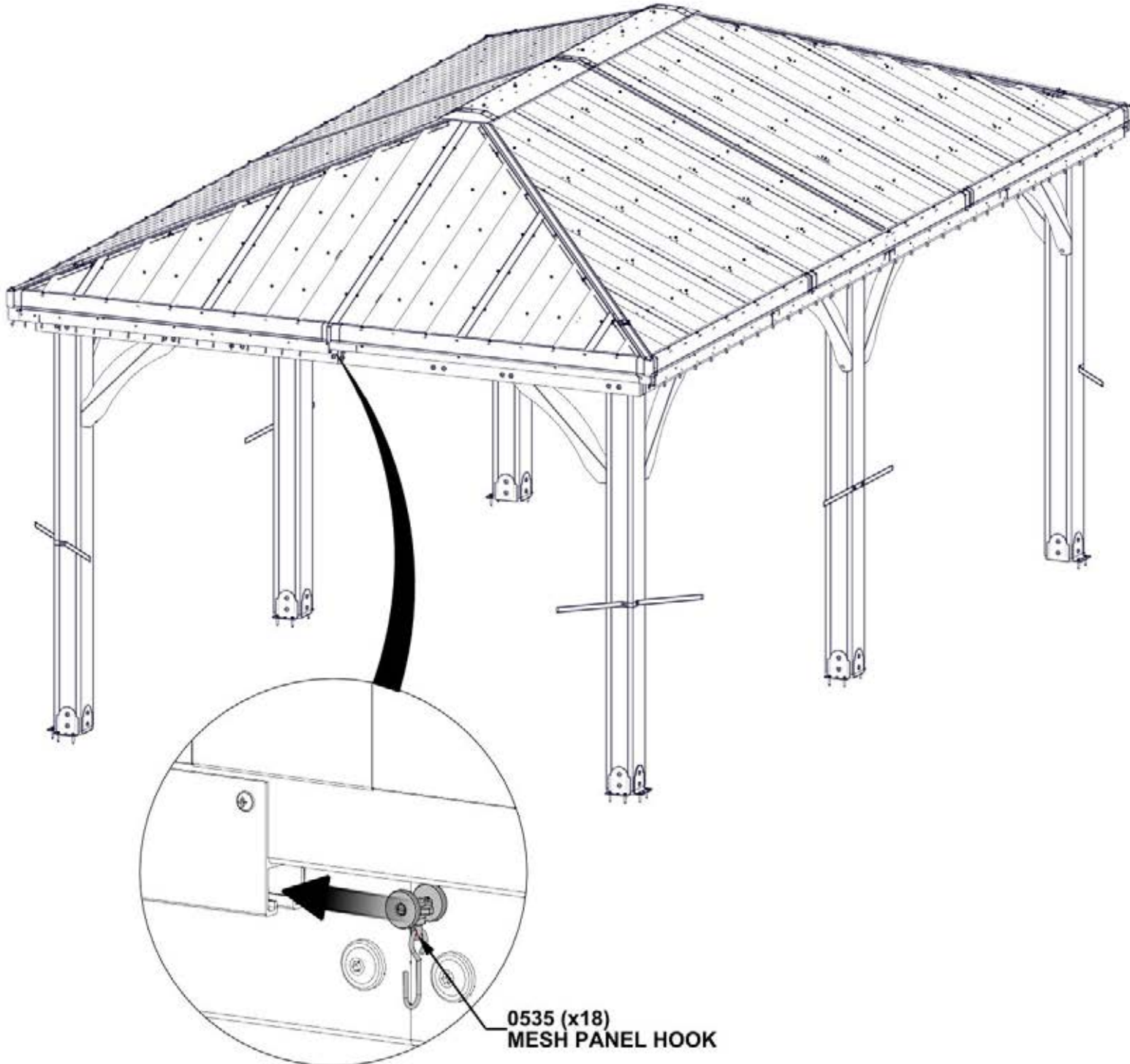
0720 (x1)
CORNER CAP

STEP 4B - HOOKS 12FT SIDE



A6P00535 MESH PANEL HOOK
(x18)

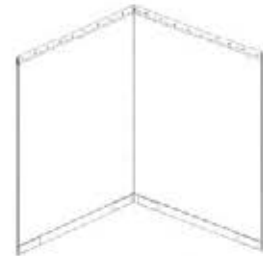
- NOTES:**
1. INSERT 18 HOOKS INTO THE TRACK. **NOTE: INSERT HOOKS BEFORE ATTACHING SECOND TRACK.**
 2. REPEAT STEP 4A FOR SECOND 0721 TRACK & 0720 CORNER CAP.
 3. AFTER TRACKS ARE ATTACHED, SPACE HOOKS EVENLY. (9 PER TRACK)
 4. REPEAT STEPS 4A AND 4B FOR OPPOSITE 12 FT SIDE.



STEP 5 - MESH PANEL



A6P00806 MESH PANEL (x2)



A6P00724 MESH PANEL (x4)

- NOTES:**
- BOTH 20FT SIDES WILL HAVE A FLAT PANEL IN THE MIDDLE & A PANEL THAT WRAPS AROUND THE OUTSIDE OF THE POSTS AND COVERS PART OF THE 20FT SIDE AND ONE HALF OF THE 12FT SIDE. **PAY CAREFUL ATTENTION TO THE MESH PANEL PART NUMBERS WHEN HANGING (SEE IMAGE BELOW).**
 - THE POCKETS AT THE BOTTOM OF THE PANELS SHOULD BE FACING THE INSIDE OF THE GAZEBO. **ZIPPER WILL NOT ALIGN IF PANELS ARE FACING THE WRONG DIRECTION.**
 - BEGIN HANGING MESH PANEL A6P00806 ON THE 11TH HOOK (INCLUDING THE CORNER HOOK) FROM THE LEFT OF THE 20FT SIDE (USING 12 HOOKS). BEGIN HANGING MESH PANEL A6P00724 ON THE HOOK TO THE RIGHT OF MESH PANEL A6P00806 (USING 9 HOOKS). CONTINUE AROUND THE POST TO THE 12FT SIDE (USING 9 HOOKS). **DO NOT ATTACH CORNER HOOK AT THIS TIME.**
 - REPEAT USING THE A6P00724 PANEL ON THE SECOND HALF OF THE 12FT SIDE.
 - REPEAT STEPS 3 & 4.
 - AFTER ALL PANELS ARE HUNG, ZIP TOGETHER AND ATTACH CORNER HOOKS INTO SLOT THAT BEST ALIGNS WITH THE HOOK.**

